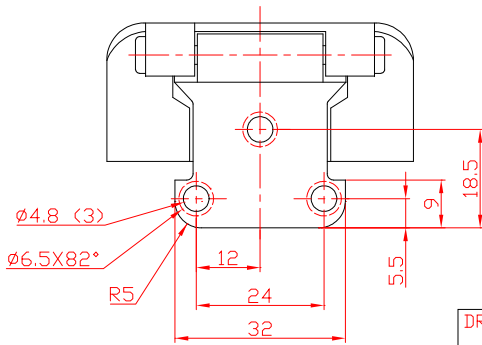
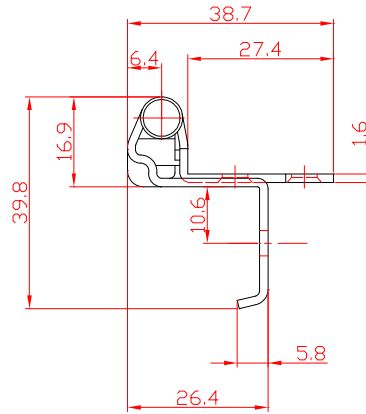


4.8 WIDE X 12.0 LG THRU



DRAWN BY: John Lai	SCALE: 1/1	DATE: 09/17/01	HARDWARE RESOURCES
UNLESS OTHERWISE SPECIFIED DIMENSIONS AND TOLERANCING ARE IN MILLIMETERS (INCHES)			4319 MARLENA ST, BOSSIER CITY, LA 71111
TOLERANCES			MATERIAL: STEEL
.X ± .1			PART NAME:
.XX ± .03			ITEM NO: H6541
.XXX ± .005			PLATING: PB

